

# 1.8° 42MM High Torque Hybrid Stepping Motor

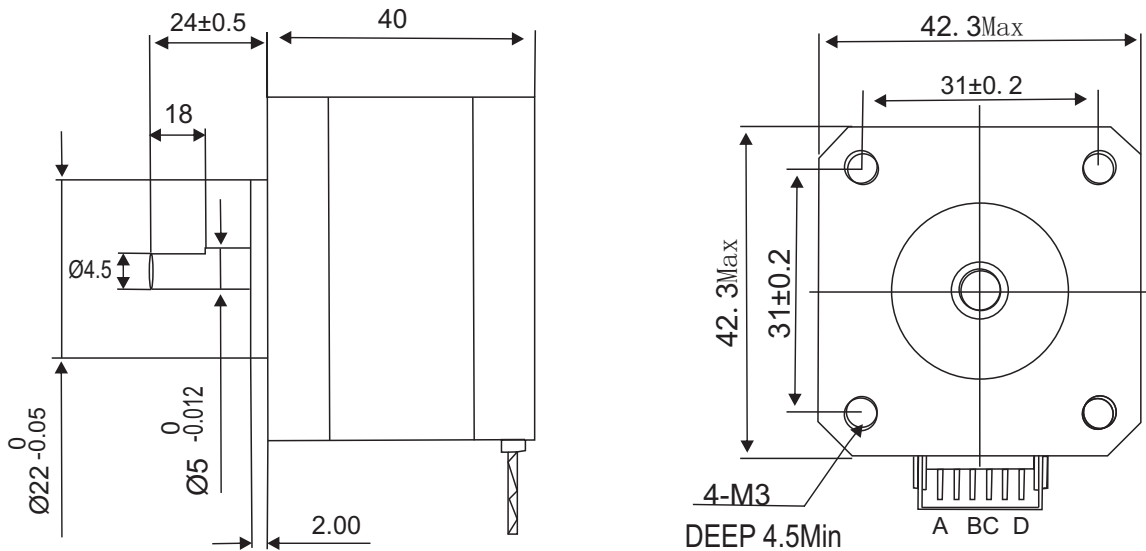
| Item                  | Specifications                        |
|-----------------------|---------------------------------------|
| Step Angle            | 1.8°                                  |
| Step Angle Accuracy   | ±5% ( full step, no load )            |
| Resistance Accuracy   | ±10%                                  |
| Inductance Accuracy   | ±20%                                  |
| Temperatru Rise       | 80°CMax. ( rated current,2 phase on ) |
| Ambient Temperatuar   | -20°C~+50°C                           |
| Insulation Resistance | 100M?Min.,500VDC                      |
| Dielectric Strength   | 500VAC/ for one minute                |
| Shaft Radial Play     | 0.02Max. ( 450 g-load )               |
| Shaft Axial Play      | 0.08Max. ( 450 g-load )               |
| Max. radial force     | 28N ( 20mm foom the flange )          |
| Max.axial force       | 10N                                   |



## ● 42MM Hybrid Stepping Motor Specifications

| Model No           | Rated Voltage | Current /phase | Resistance /phase | Inductance /phase | Holding Torque | #of Leads | Moment of inertia | Weinght | Orientation Torque | Length |
|--------------------|---------------|----------------|-------------------|-------------------|----------------|-----------|-------------------|---------|--------------------|--------|
|                    | V             | A              | Ω                 | mH                | Kg-cm          |           | g-cm <sup>2</sup> | kg      | g-cm               | mm     |
| SL42STH40-1684A-23 | 24            | 1.7            | 1.2               | 2.2               | 3.8            | 4         | 54                | 0.28    | 150                | 40     |

## ● Dimension



## ● Wiring Diagram

