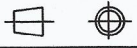
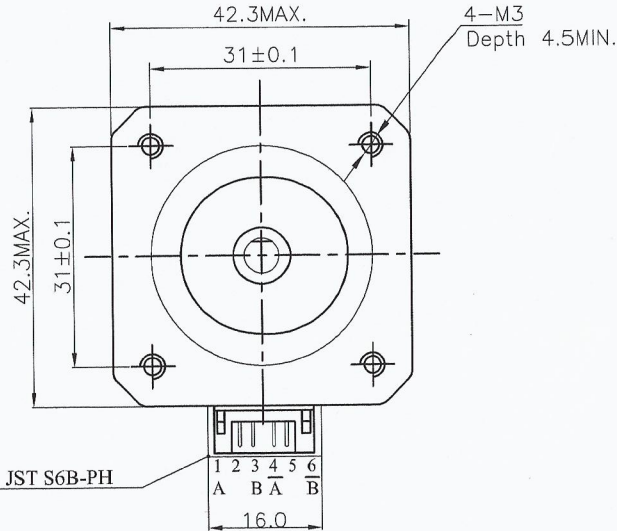
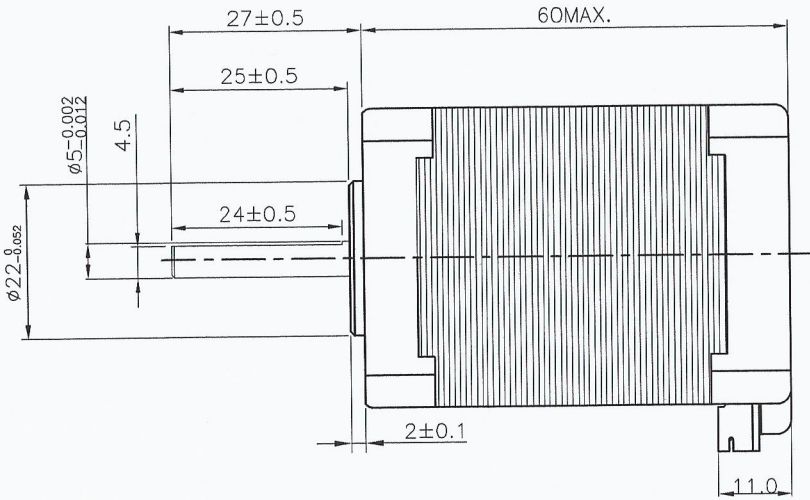


MOTECH MOTOR CO.,LTD

<b>Product Name</b>		<b>Hybrid Stepper Motor MT-1705HS200AE</b>			
					Rev A
Made by	P.T	Approve	Martin	Date	2/27/2016

E3D SKU: E-MOTOR-NEMA17-65MM-D-SHAFT



Items	Specs	Items	Specs
Phase Number	2 phases	Step Angle	1.8°±5%
Rated Voltage	4.0 VDC	Rated Current	DC 2.0 A / Phase
Resistance(20°C)	2.0±10% Ω / phase	Inductance	3.3±20% mH / Phase
Holding Torque	≥ 8.2 Kg-cm(114 Oz-in)	Detent Torque	0.28 Kg-cm REF.
Rotate Direction	ABABA CW	MAX Starting PPS	2500 PPS
MAX slewing PPS	2500 PPS	Insulation Resistance	≥100 MΩ(DC 500V)
HI POT	AC600V/1mA/1S	Insulation Class	Class B
Rotor Inertia	102 g.cm <sup>2</sup>	Weight	0.55 Kg REF.

Wiring Diagram

