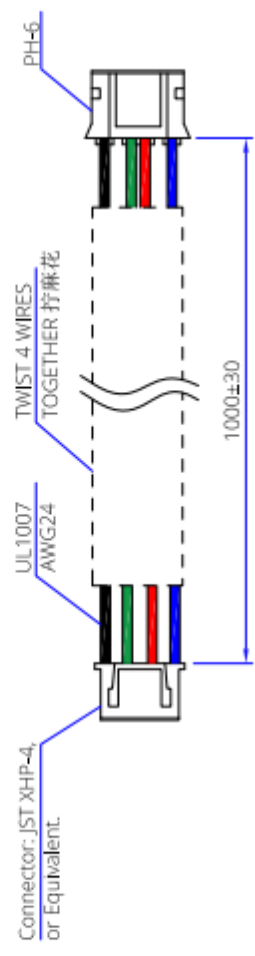
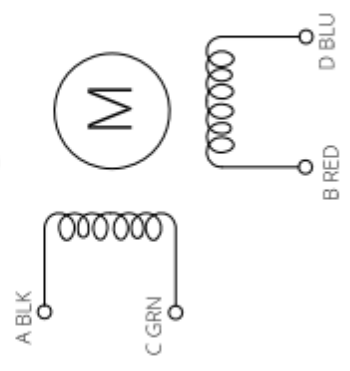


Diagram



Item	Specification	Item	Specification
Phase Number	2	Step Angle	1.8° ± 5%
Rated Voltage	DC 2.5V / Phase	Rated Current	DC 2.5A / Phase
Phase Resistance	1.2x(1±20%)Ω	Phase Inductance	1.5x(1±20%)mH
Holding Torque	5.5kgf-cm (55N-cm)	Detent Torque	20 mN-m REF.
Rotate Direction	A-AB-B CW	Insulate Resistance	100Mohm(DC500V)
HI-POT	AC600V/1mA/1S	Insulation Class	Class B 130°C
Rotor Inertia	84.5 g-cm ² REF	Weight	0.35 Kg REF

REV.	ECN NO.	NEW RELEASE DESCRIPTION	XU SD	J.B.	9/17/21
A	---	NEW RELEASE DESCRIPTION <td>XU SD</td> <td>J.B.</td> <td>9/17/21 </td>	XU SD	J.B.	9/17/21
DRAWN BY XU SD		CHECKED BY J.B.	APPR. BY J.B.	DATE 7/12/21	SHEET NO. 1/1
LDO MOTORS		VIEW	LDO Motors Co., Ltd.		
SCALE NA		Part No. 1.8° NEMA17 Stepper Motor LDO-42STH48-2504AC (was LDO-42STH47-2504AC)			
FACTORY CODE		SHEET NO. 1/1			