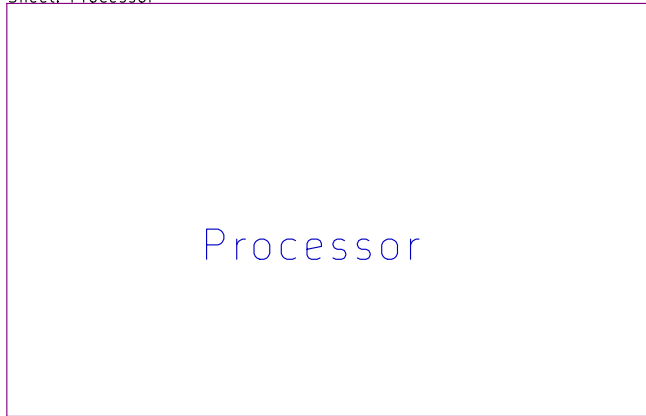


Duet3 External Driver Board 1XD

Sheet: Processor



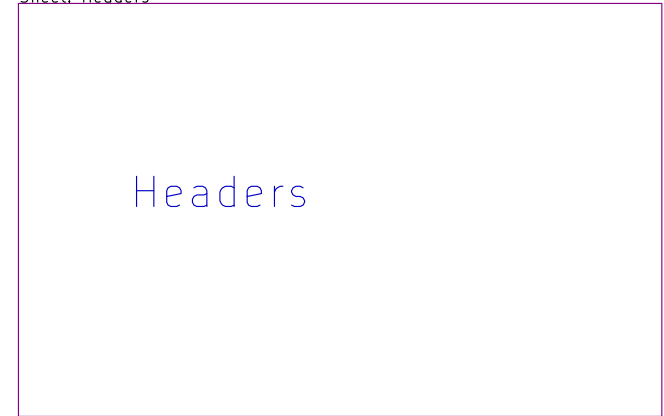
File: Processor.sch

Sheet: Stepper Driver & Endstops



File: Stepper_Drv.sch

Sheet: Headers



File: Headers.sch

www.duet3d.com

(c) Duet3D

Duet3D

Sheet: /

File: Duet3_EXB_1XD.sch

Title: Duet 3 – External Driver Board – 1XD

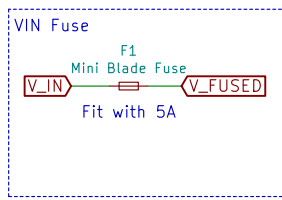
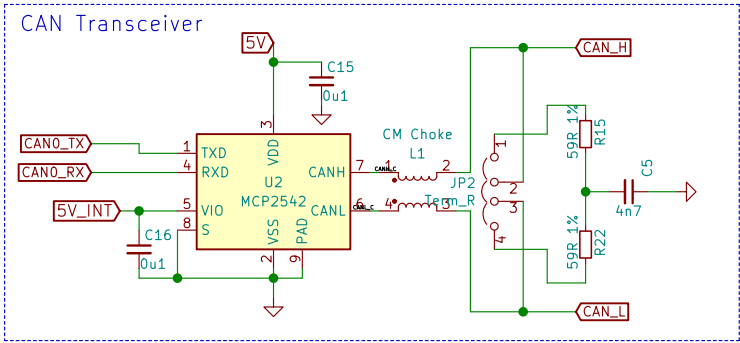
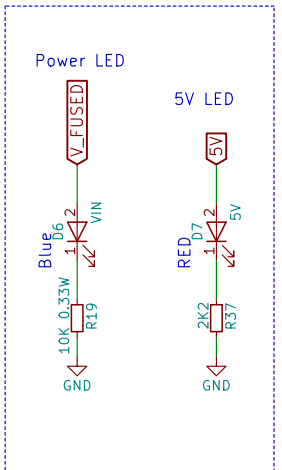
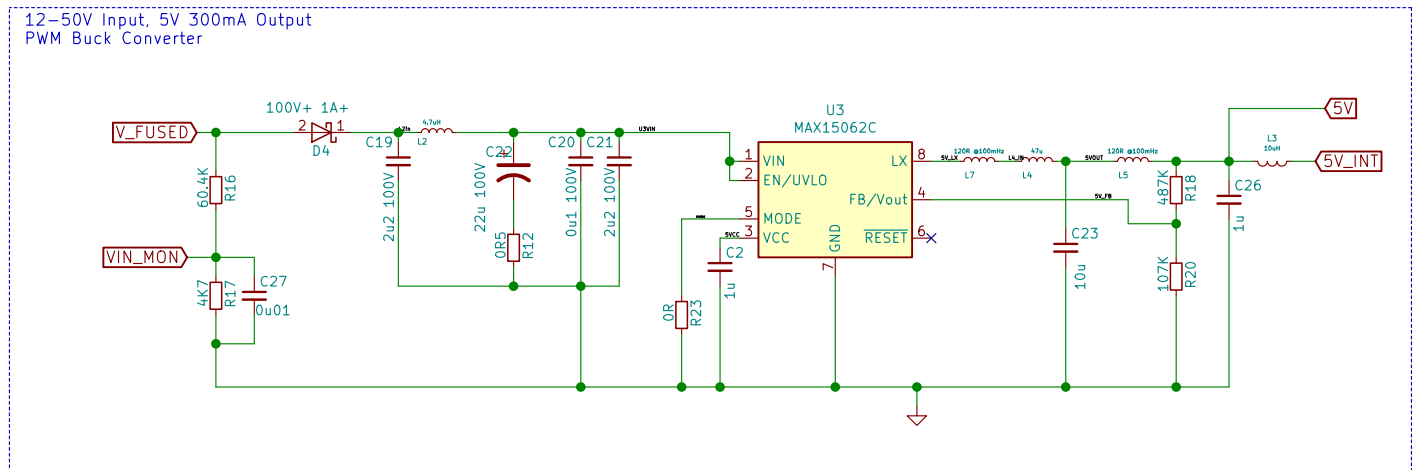
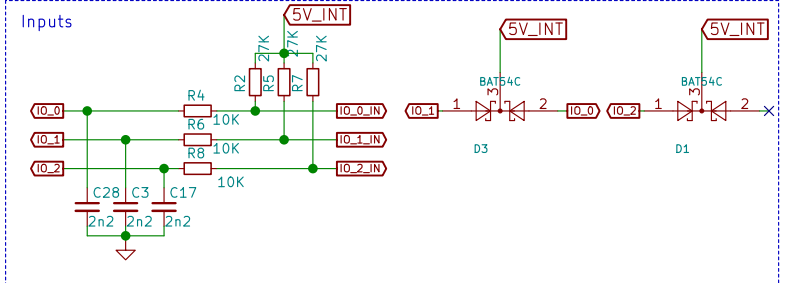
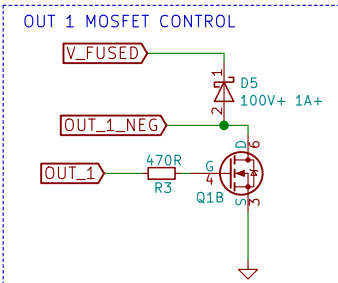
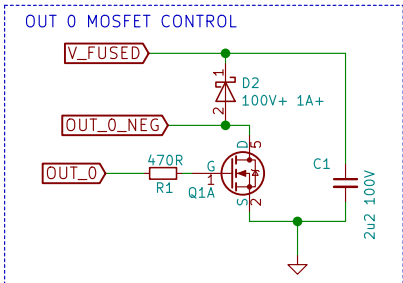
Size: A4

Date: 2020-03-30

Rev: 0.4

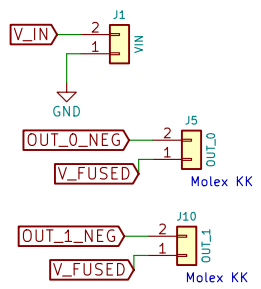
KiCad E.D.A. kicad (5.1.4)-1

Id: 1/4

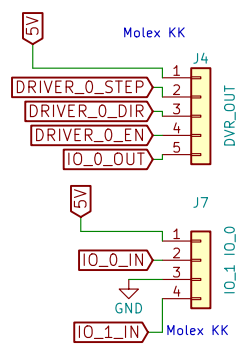


www.duet3d.com
 (c) Duet3D
Duet3D
 Sheet: /Stepper Driver & Endstops/
 File: Stepper_Drv.sch
Title: Duet 3 - External Driver Board - 1XD
 Size: A4 | Date: 2020-03-30 | Rev: 0.4
 KiCad E.D.A. kicad (5.1.4)-1 | Id: 2/4

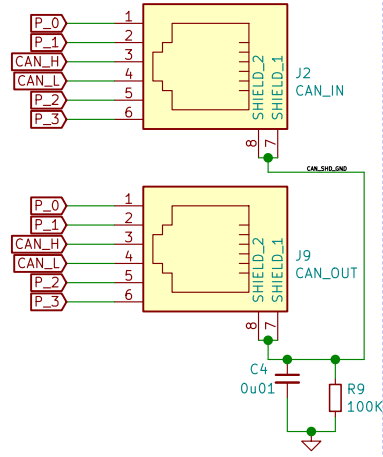
Power, MOSFET outputs



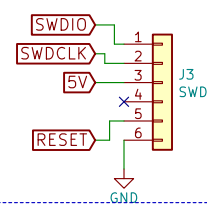
External Driver connections



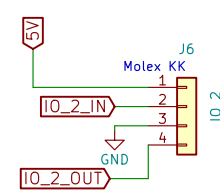
CAN RJ11 ports



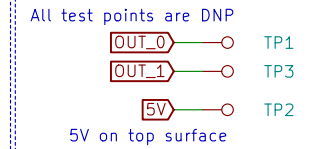
SWD Connector



endstop



Test Points



Temperature



www.duet3d.com

(c) Duet3D

Duet3D

Sheet: /Headers/

File: Headers.sch

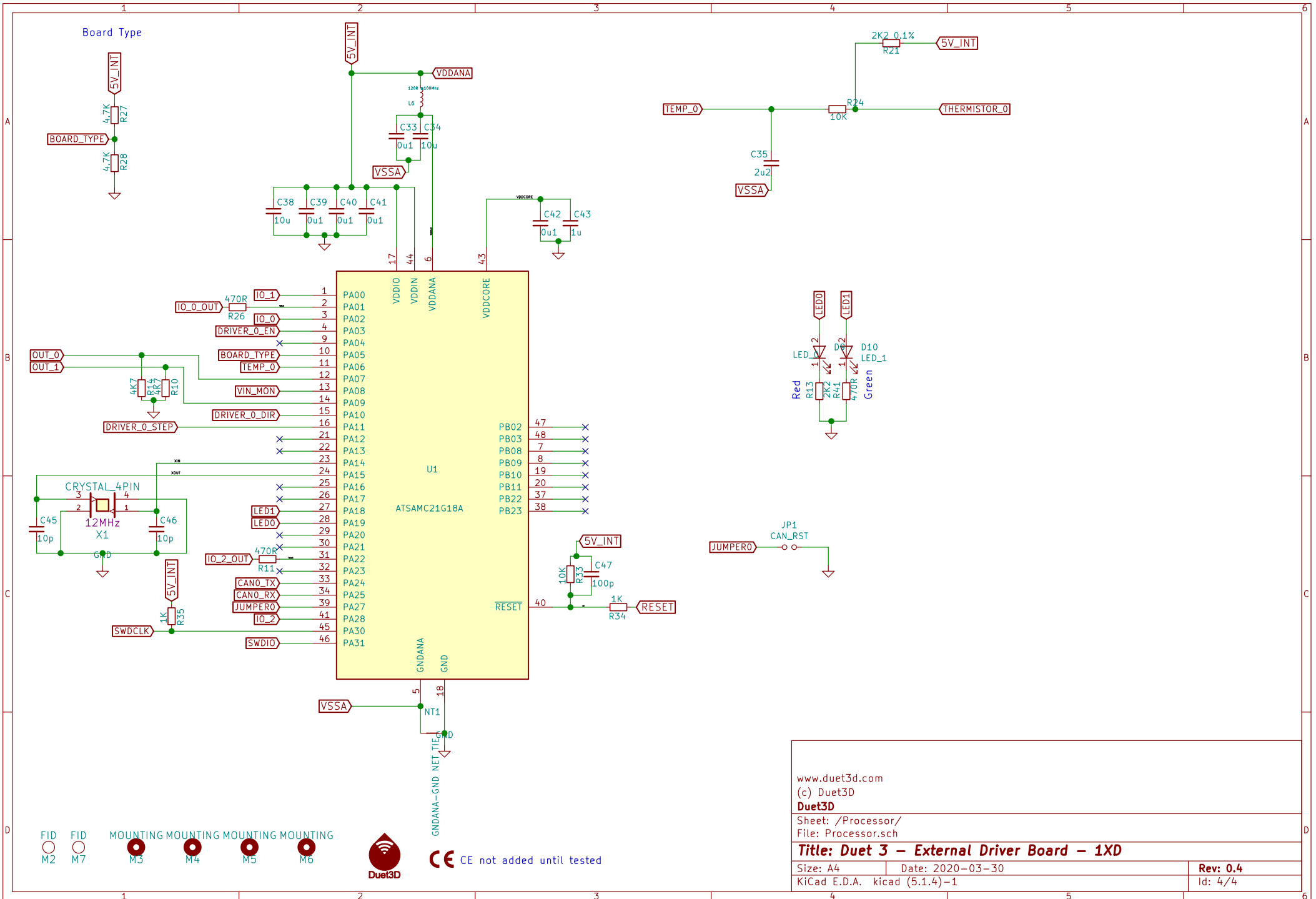
Title: Duet 3 – External Driver Board – 1XD

Size: A4 Date: 2020-03-30

KiCad E.D.A. kicad (5.1.4)-1

Rev: 0.4

Id: 3/4



- FID M2
- FID M7
- MOUNTING M3
- MOUNTING M4
- MOUNTING M5
- MOUNTING M6



CE not added until tested

www.duet3d.com	
(c) Duet3D	
Duet3D	
Sheet: /Processor/	
File: Processor.sch	
Title: Duet 3 - External Driver Board - 1XD	
Size: A4	Date: 2020-03-30
KiCad E.D.A. kicad (5.1.4)-1	Rev: 0.4
	Id: 4/4