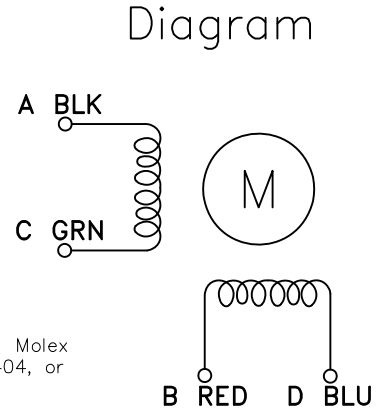
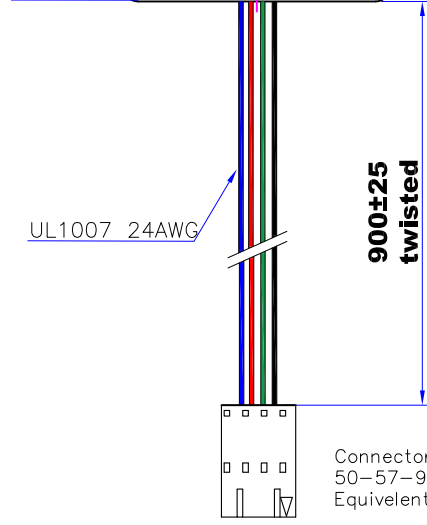
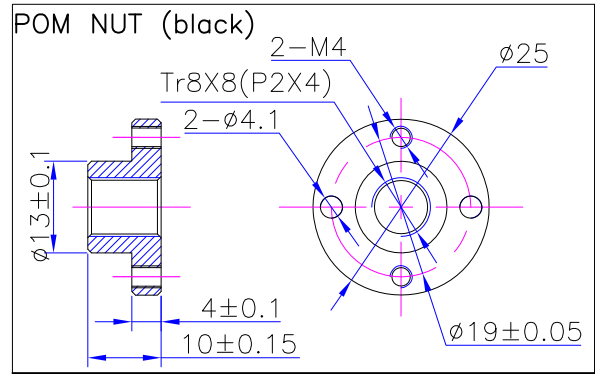


Label by laser print on back side.



Items	Specs	Items	Specs
Phase Number	2 Phases	Step Angle/Length	1.8° ± 0.09° /0.04mm
Rated Voltage	DC 8V	Rated Current	DC 1.0A / Phase
Resistance(20°C)	8 × (1 ± 20% Ω) ohm	Insulation Resistance	≥ 100 MΩ (DC 500V)
Push Force	11Kg (107.8N)	Insulation Class	B
Rotate Direction	ACBDA CW	Weight	0.29 Kg REF.
HI POT	AC600V/1mA/1S		

C	---	Customized LOGO/Cable	Xu SD	J.B.	3/16/18
B	---	Customized LOGO	Xu SD	J.B.	9/22/17
A	---	New Release	Xu SD	J.B.	5/16/17
REV	ECN	Description	Made	Appr	Date
		View		LDO MOTORS CO.,LTD	
		Scale	1: 1	Linear Stepper Motor	
				LDO-42STH34-1004L420E(ZRB-Z2)	
Des	Check	Appr	Date	Factory Code	page